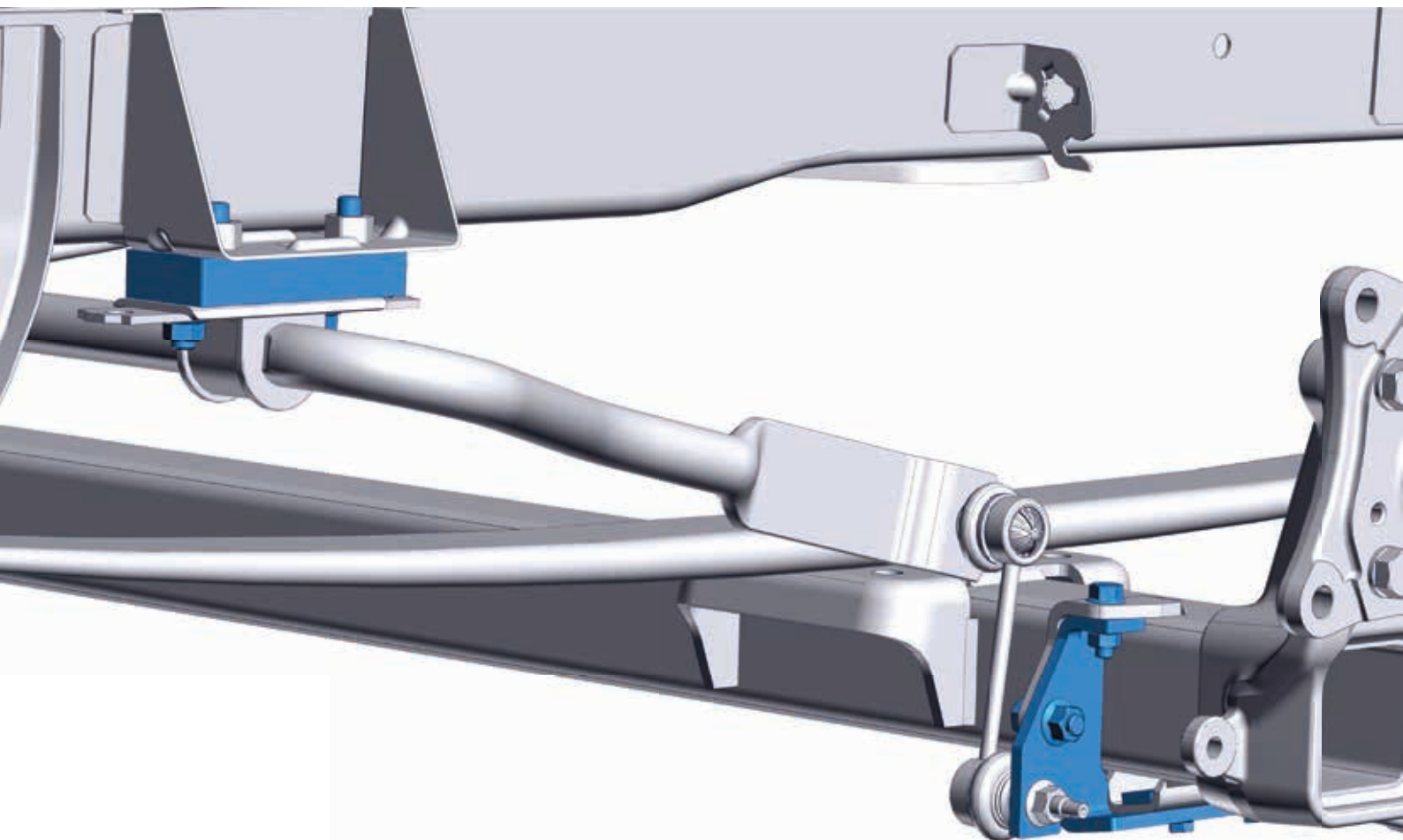


FITTING INSTRUCTIONS

making everyday smoother



**PEUGEOT BOXER, FIAT DUCATO,
CITROËN JUMPER, OPEL/VAUXHALL MOVANO
X250/X290**

***VB-SemiAir - Stabiliser modifications for vehicle with electric parking brake
rear axle***

FOR KIT: 1552350047



REVISION TABLE

Document number	730155180700		
New revision:	V1.1		Old revision: V1.0
Release date (yyyy-mm-dd):	2022-10-01		
Page (new):	Changes:		
3	Update: 1. Parts items 8 and 9		

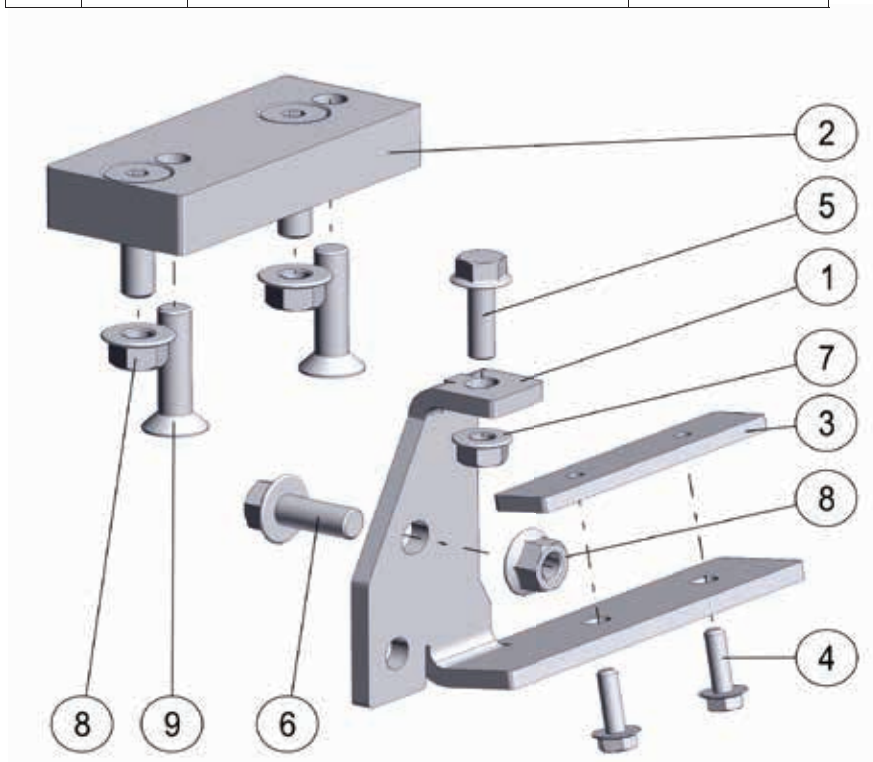
© 2022, VB-Airsuspension B.V.

All rights reserved. No part of these publications may be reproduced and/or made public by printing, photocopying, microfilm or any other means whatsoever without the prior written consent of VB-Airsuspension B.V. This also applies to the accompanying drawings and diagrams.

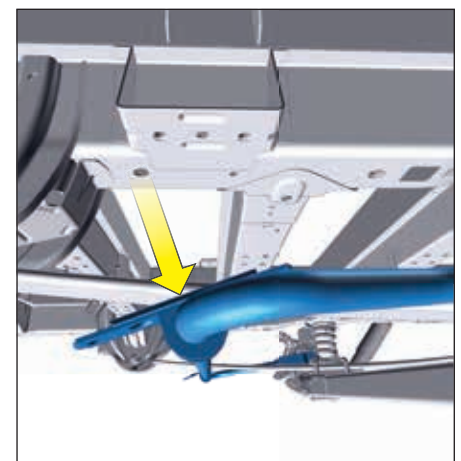
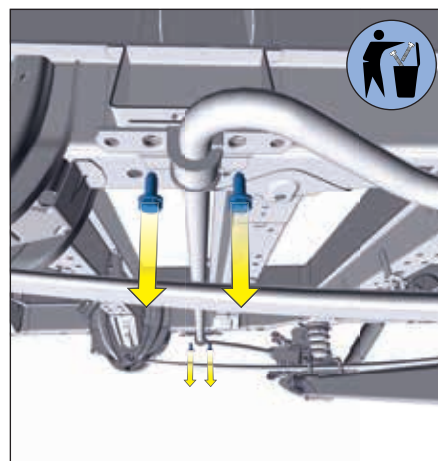
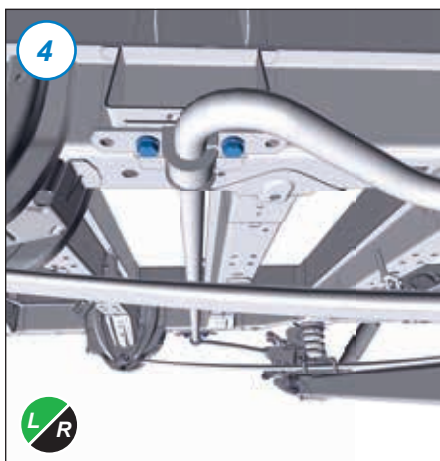
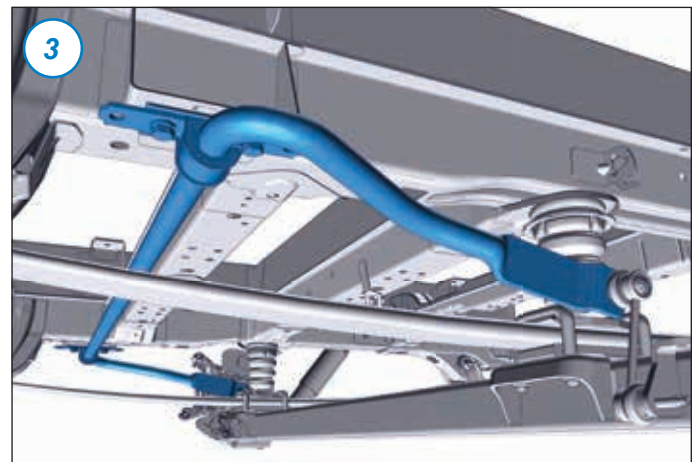
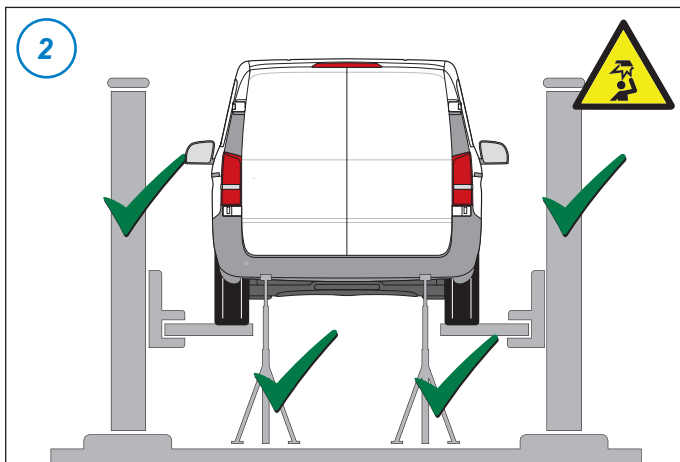
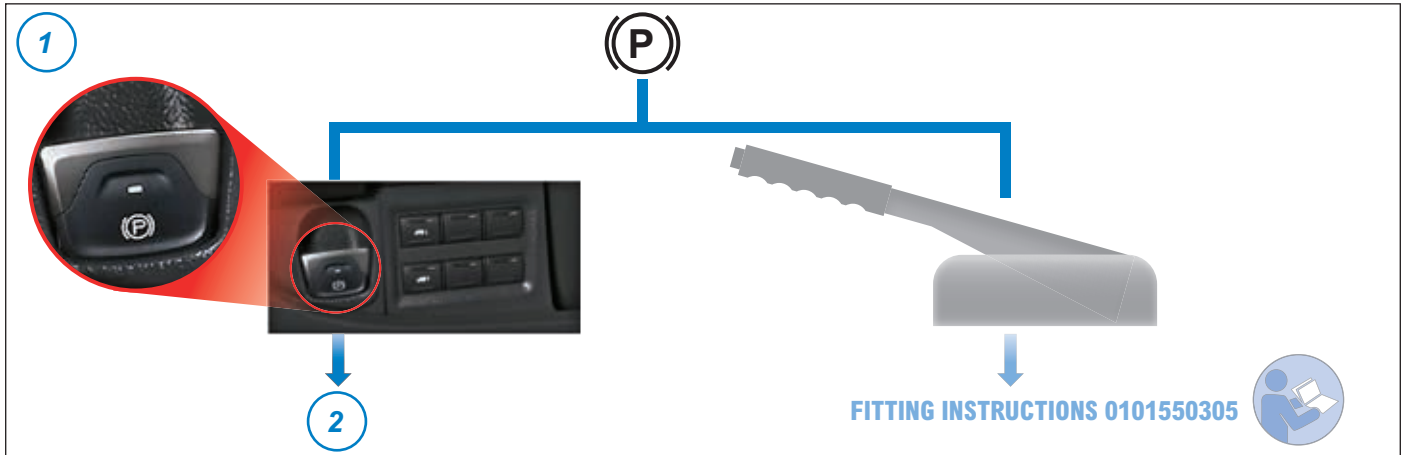
1. PARTS

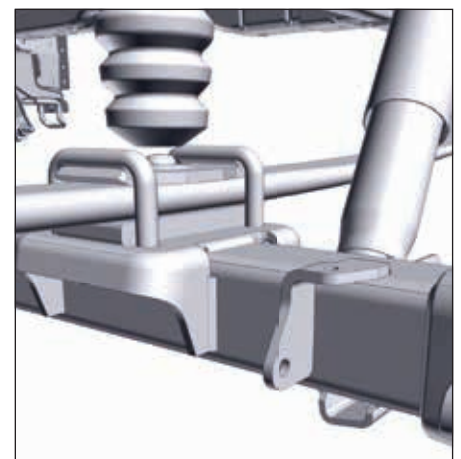
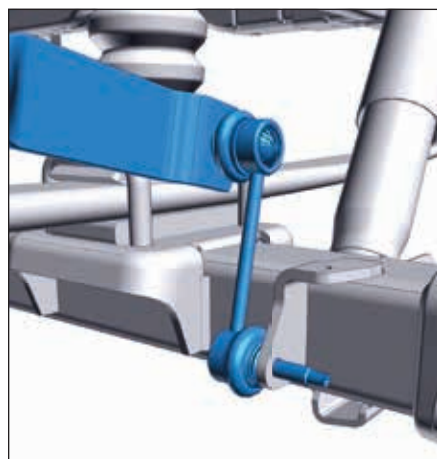
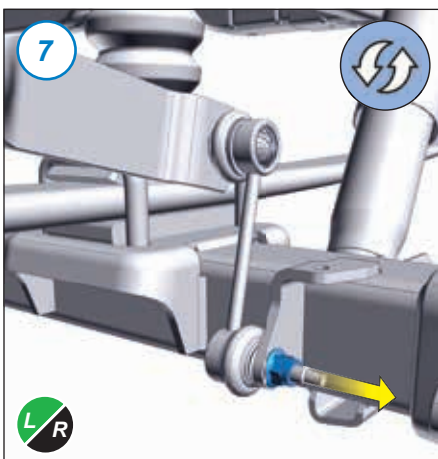
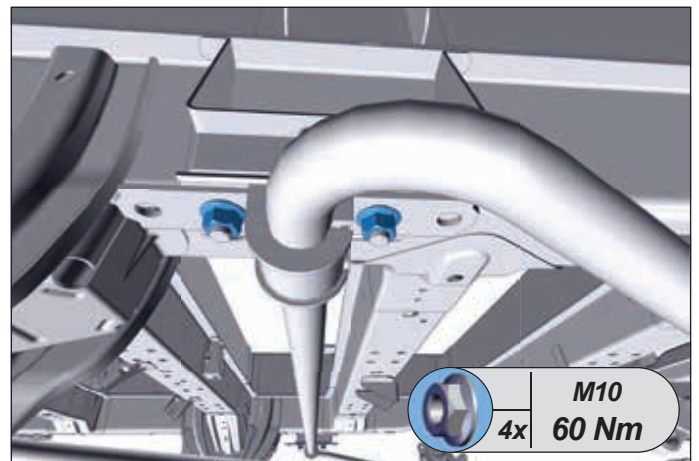
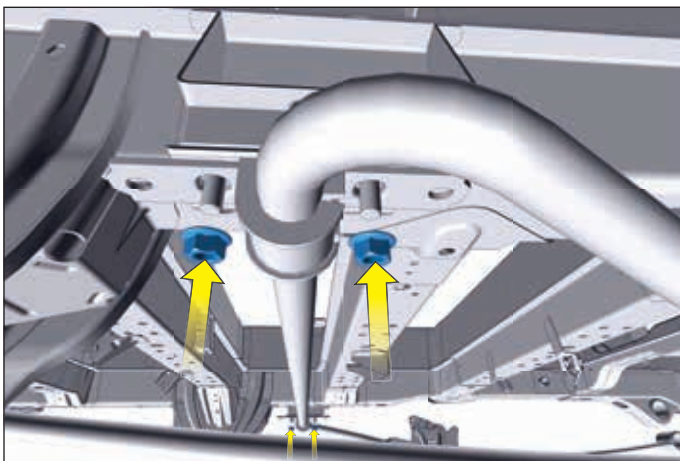
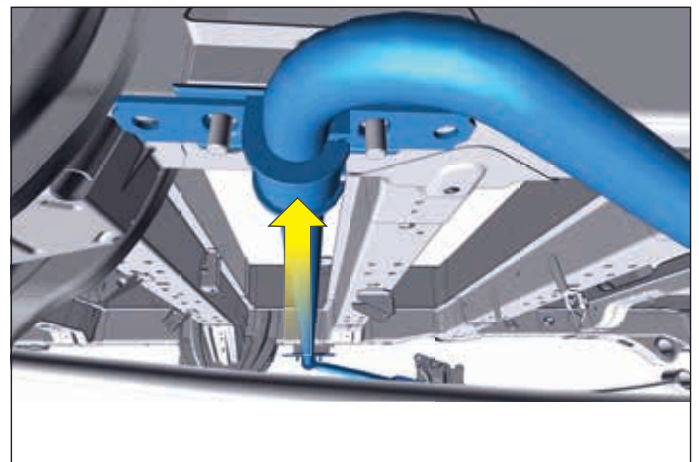
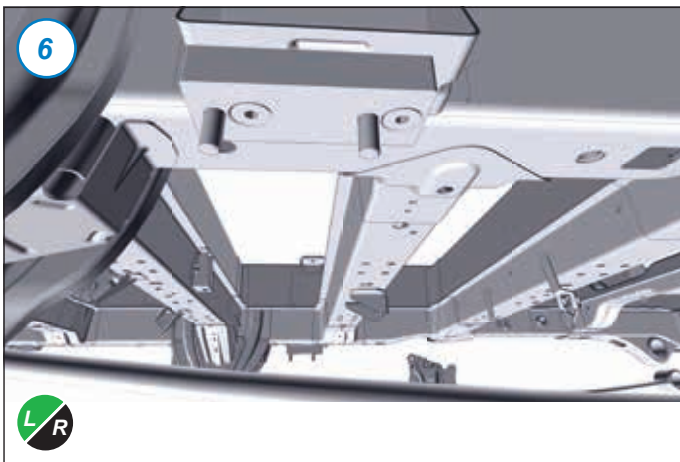
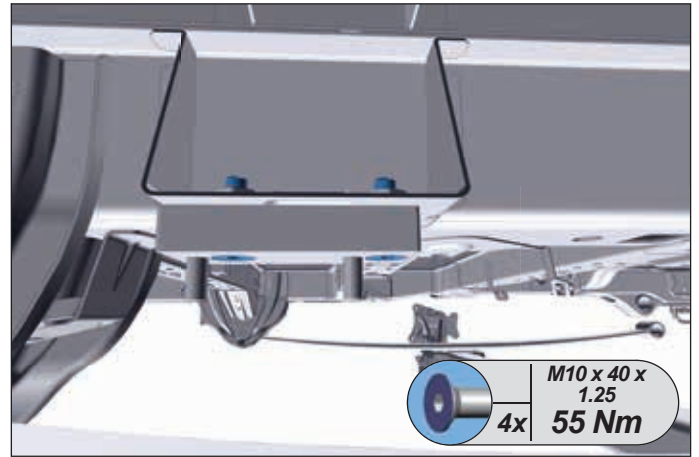
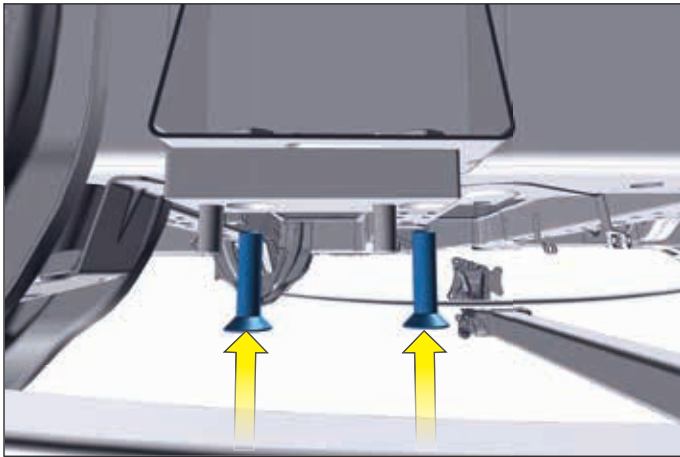


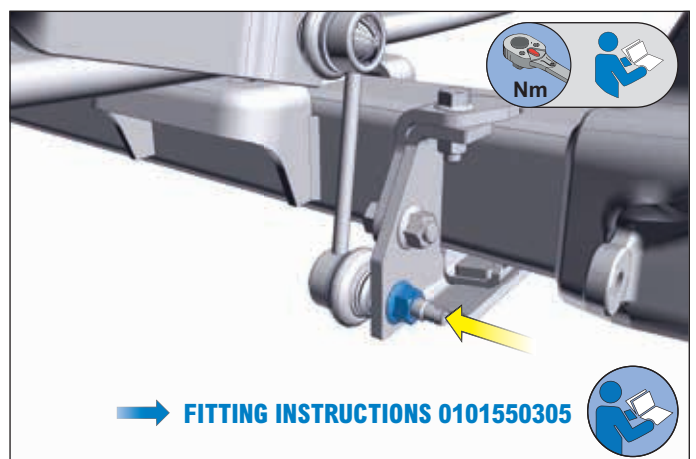
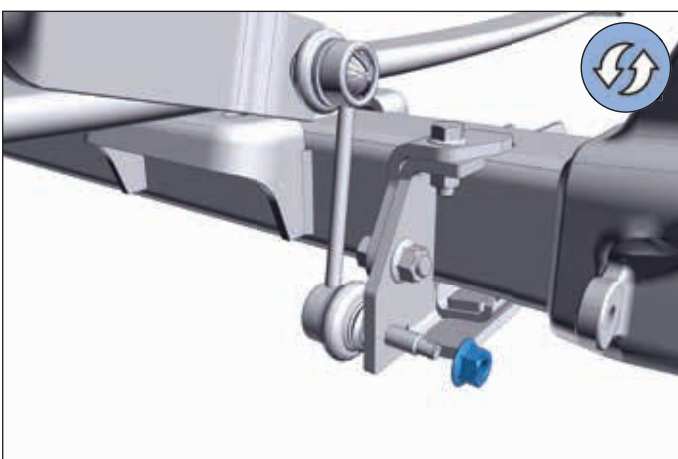
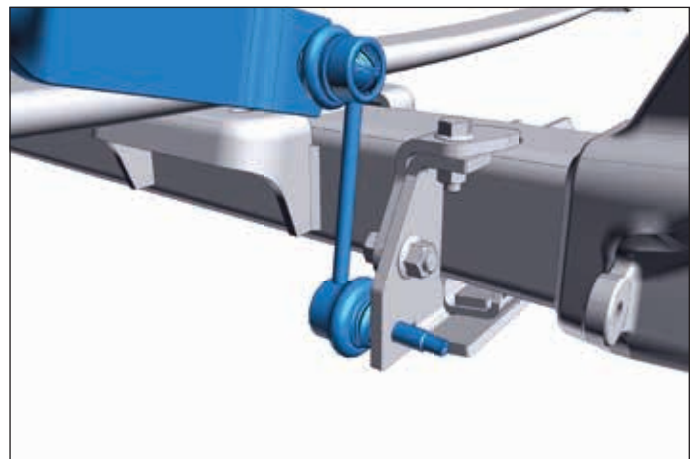
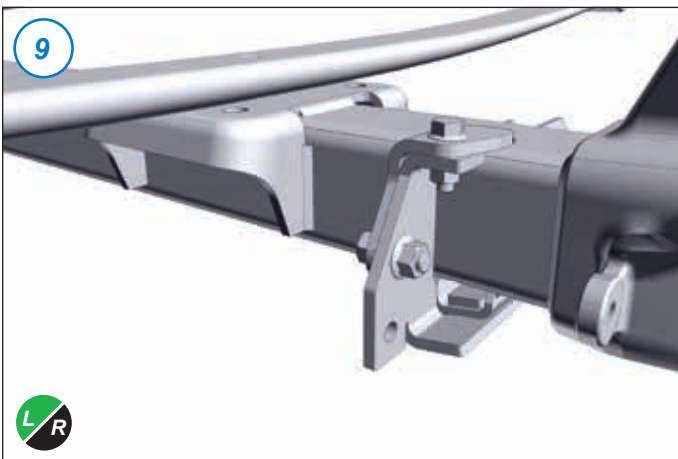
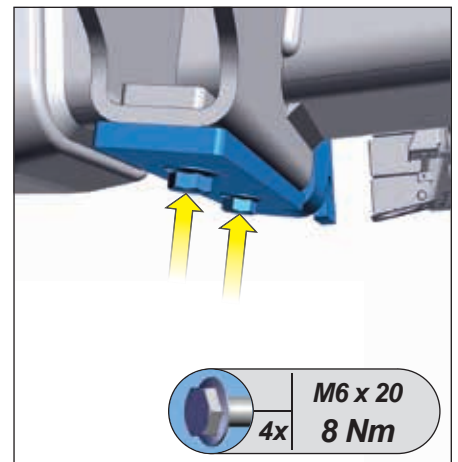
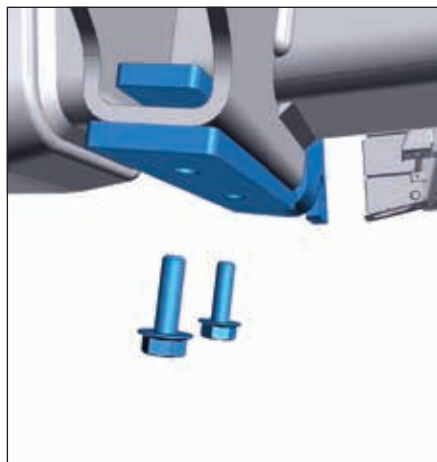
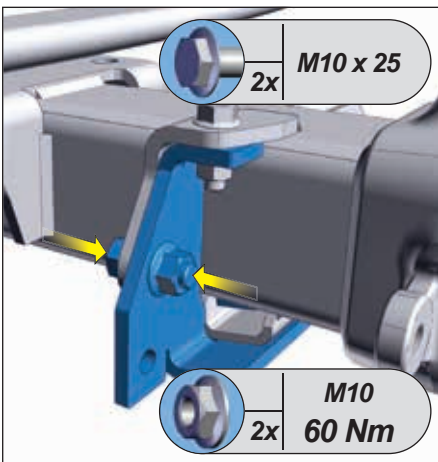
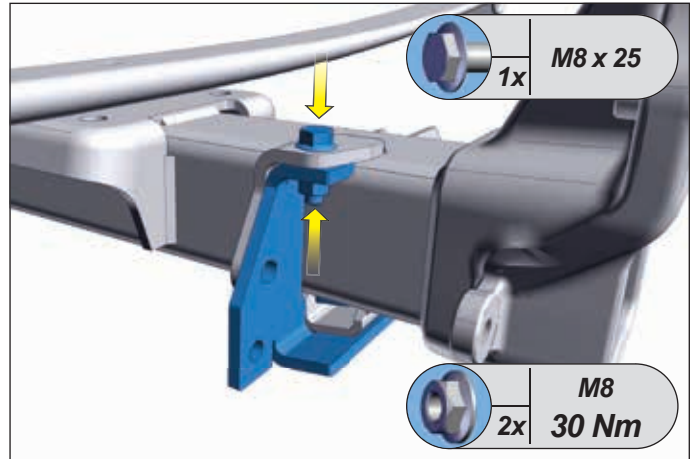
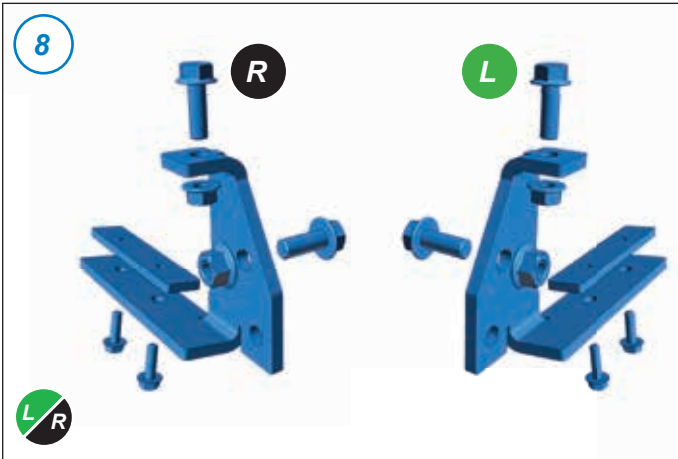
Item	Quantity	Description	Item number
1	1	Stabiliser clamp left	1552090016
	1	Stabiliser clamp right	1552090017
2	2	Spacer block	1552090018
3	2	Mounting plate	1552090019
4	4	Flange bolt M6x20 8.8 Tensilock	0010706020AB
5	2	Flange bolt M8x25 10.9	0010708025CA
6	2	Flange bolt M10x25 10.9	0010710025CA
7	2	Flange nut M8 8.8 Tensilock	0011108000AA
8	6	Flange nut M10 8.8	0011110000AA
9	4	Countersunk Allen screw M10x40x1.25 10.9	0010510041CA

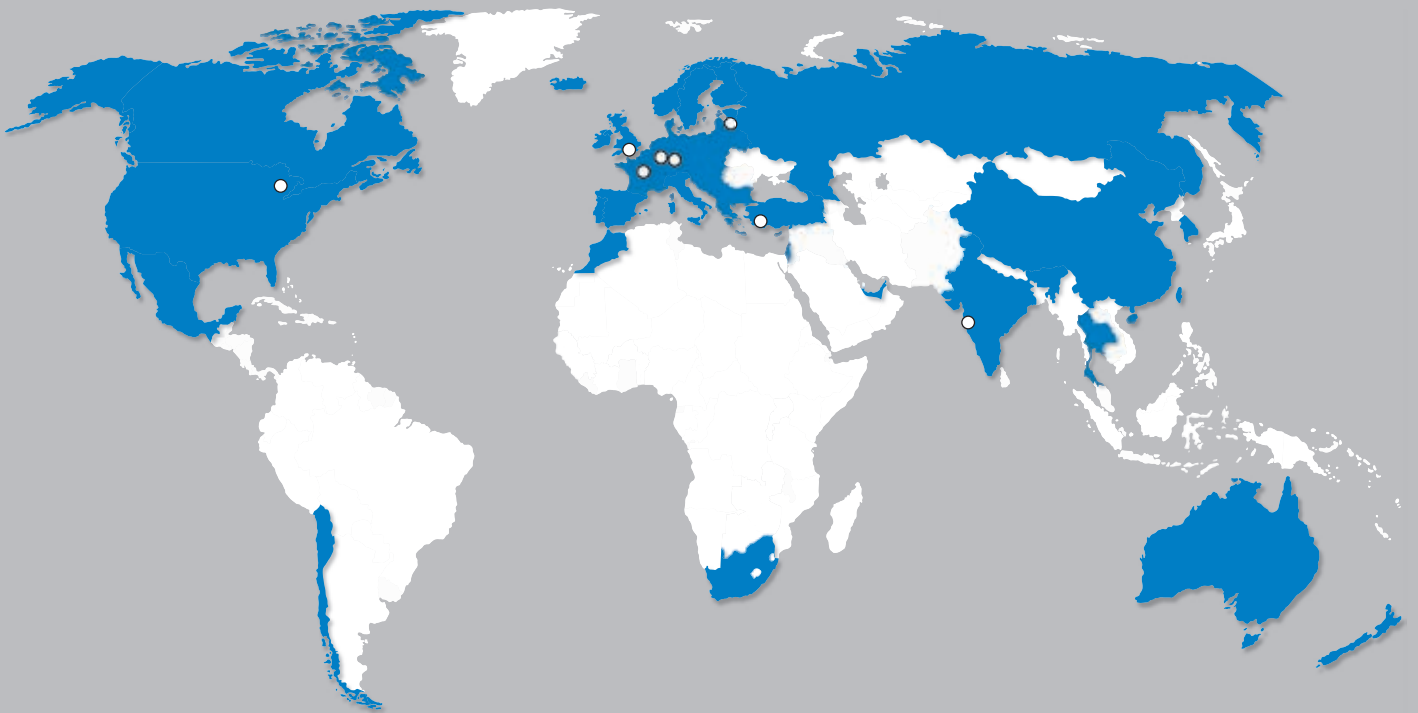


2. MODIFICATIONS STABILISER BAR









VB-AIRSUSPENSION,

INCREASED COMFORT, BETTER DRIVEABILITY, MORE SAFETY.

